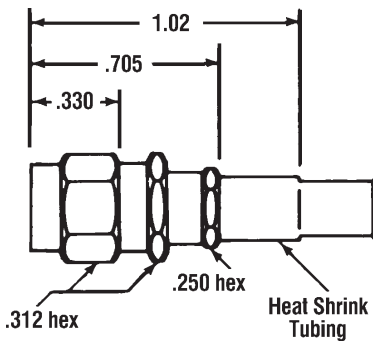


# SMA COAXIAL CONNECTORS



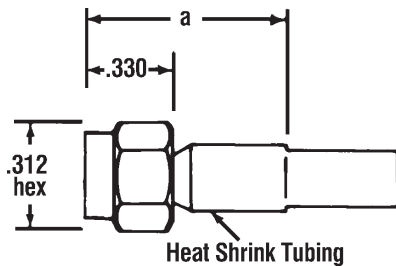
## STRAIGHT PLUG



## FOR FLEXIBLE CABLE

MODEL	3601-1-*	3601-2-*	3601-3-*	3601-4-*	3601-5-*
CABLE	RG55, 142, 223, 400	RG58, 141, 303	RG174, 179, 187, 188, 316	RG180/U, 195	RG178, 196
NOTES	crimp/clamp	crimp/clamp	crimp/clamp	crimp/clamp	crimp/clamp

## STRAIGHT PLUG

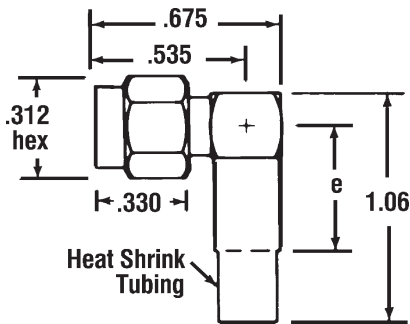


## FOR FLEXIBLE CABLE

MODEL	3089-1-*	3089-2-*	3089-3-*	3089-4-*	3089-5-*	3089-28-*	3089-29-*
CABLE	RG55, 142, 223, 400	RG58, 141, 303, LMR195	RG174, 179, 187, 188, 316, LMR100	RG180, 195	RG178, 196	RG59, 62	RG174DS, 188DS, 316DS
a =	.810	.810	.690	.690	.690	.690	.690
NOTES	crimp or solder						

NOTE: For crimp version (passivated only) add suffix "C"  
NOTE: RP = Reverse Polarity RT = Reverse Thread

## RIGHT ANGLE PLUG

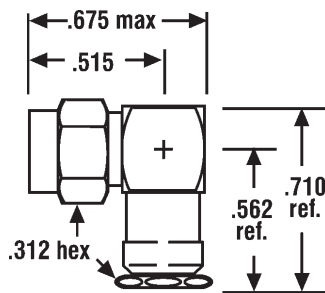


## FOR FLEXIBLE CABLE

MODEL	3090-1-*	3090-2-*	3090-3-*	3090-4-*	3090-5-*	3090-29-*
CABLE	RG55, 142, 223, 400	RG58, 141, 303, LMR195	RG174, 179, 187, 188, 316, LMR100	RG180, 195	RG178, 196	RG174DS, 188DS, 316DS
e =	.605	.605	.440	.440	.440	.475
NOTES	crimp or solder	crimp or solder	crimp or solder	crimp or solder	crimp or solder	crimp or solder

NOTE: For crimp version (passivated only) add suffix "C"

## RIGHT ANGLE PLUG



## FOR FLEXIBLE CABLE

MODEL	3911A-1-*	3911A-3-*	3911A-4-*	3911-9
CABLE	RG55, 58, 141, 142, 223, 303, 400, LMR195	RG174, 179, 187, 188, 316, LMR100	RG180, 195	RG188DS, 316DS
NOTES	clamp type	clamp type	clamp type	clamp type

\* -1 indicates gold plated stainless steel all over.

-9 indicates passivated (stainless finish) except in areas where gold plating is required for solderability.